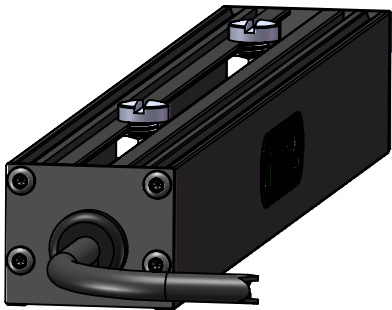
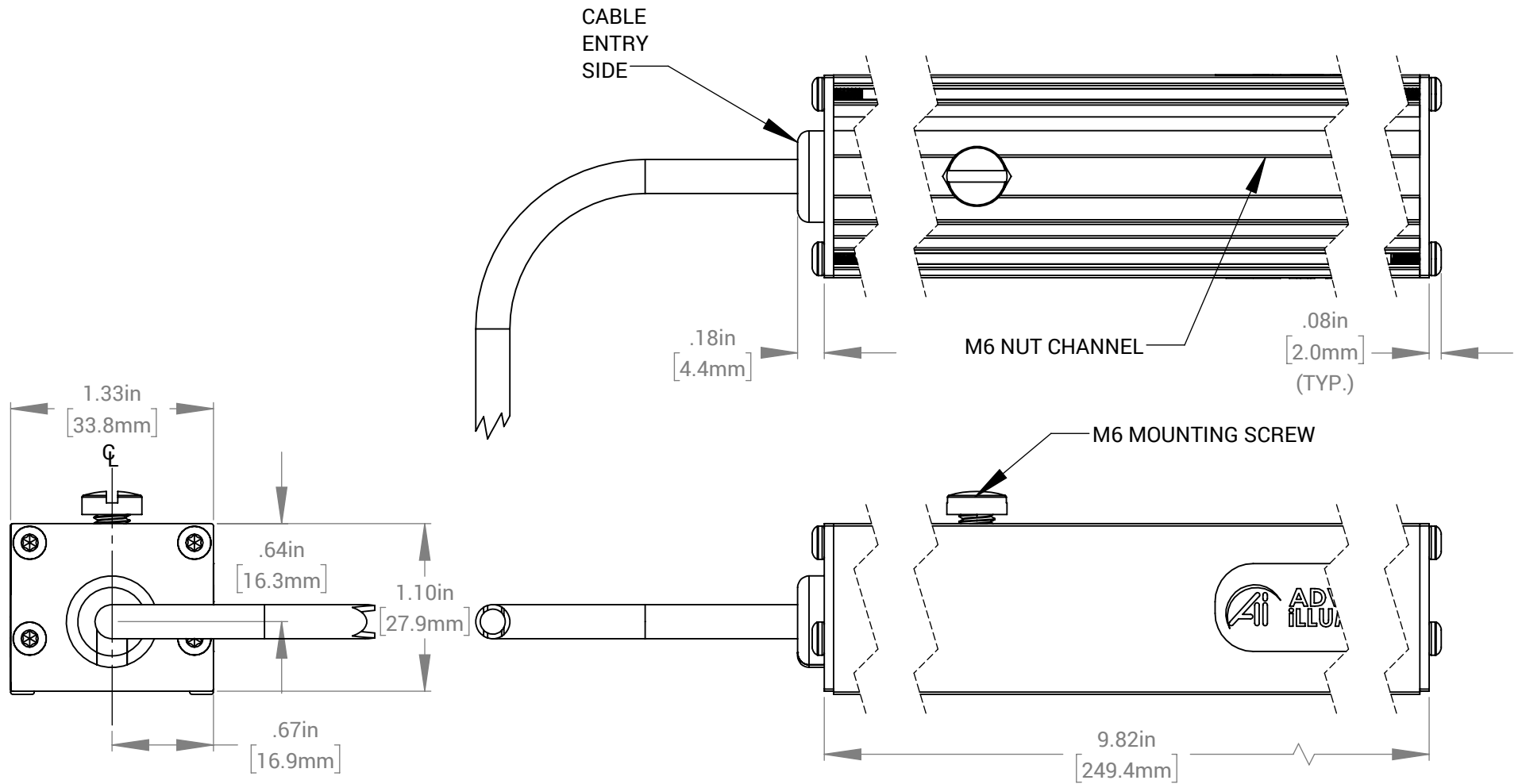



REVISIONS			
REV.	DESCRIPTION	DATE	DCN NO
-	FOR QUOTING PURPOSES ONLY		



FOR REFERENCE ONLY

**PROPRIETARY AND CONFIDENTIAL**  
 THESE DRAWINGS AND SPECIFICATIONS ARE THE EXCLUSIVE PROPERTIES OF ADVANCED ILLUMINATION INCORPORATED ISSUED IN STRICT CONFIDENCE AND SHALL NOT, WITHOUT THE PRIOR WRITTEN PERMISSION OF ADVANCED ILLUMINATION INC BE REPRODUCED, COPIED OR USED FOR ANY PURPOSE WHATSOEVER EXCEPT THE MANUFACTURE OF ARTICLES FOR ADVANCED ILLUMINATION INC

**UNIT WEIGHT: 0.59 lbs**

CUT USING:		UNLESS OTHERWISE SPECIFIED:	DRAWN	DATE	NAME	 <b>ADVANCED ILLUMINATION</b> 440 STATE GARAGE ROAD, ROCHESTER, VERMONT 05767
		SURFACE SHOULD BE FREE OF SCRATCHES, BURRS, AND DENTS	CHECKED	11-MAY-21	Ai	
		DIMENSIONS ARE IN: INCHES	APPROVED	--	--	TITLE:
		<u>TOLERANCES</u>	MATERIAL			DRAWING, INSTALLATION, AL4554
		FRACTIONAL: 1/16	FINISH			SIZE DWG. NO.
		ANGULAR: MACH ± 1 BEND ± 1				AL4554
		TWO PLACE DECIMAL: .010				REV
		THREE PLACE DECIMAL: .005				-
NEXT ASSY	USED ON	MAKE FROM				SCALE: NTS C CODE: -
APPLICATION						SHEET 1 OF 1