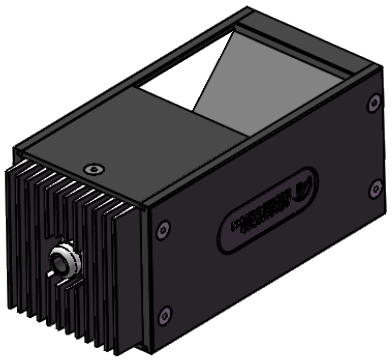
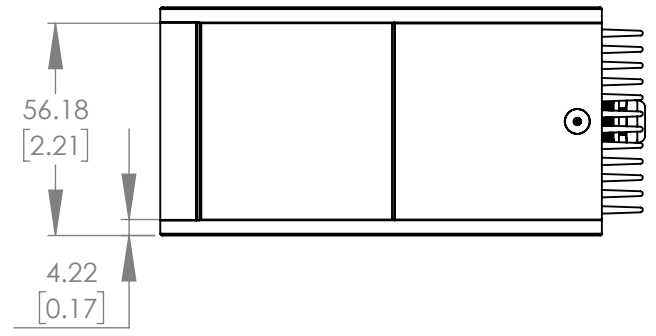
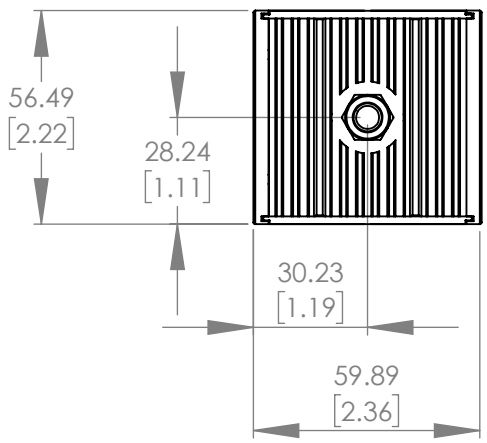
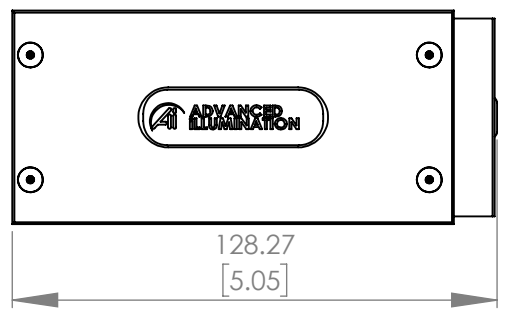
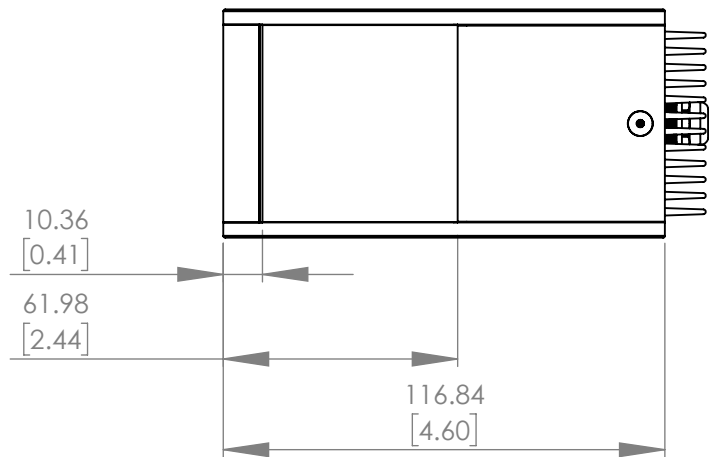
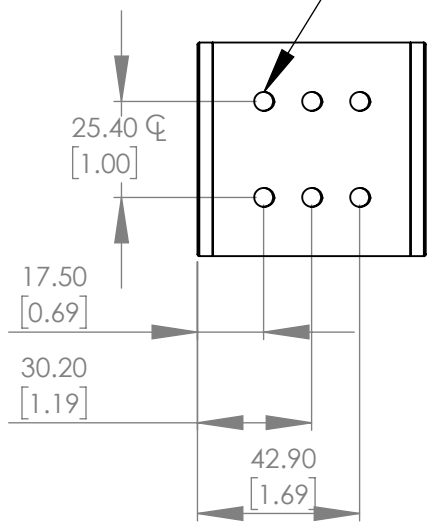


REVISIONS			
REV.	DESCRIPTION	DATE	DCN NO

6X M6 TAPPED HOLES FOR MOUNTING, .250" DEEP



FOR REFERENCE ONLY

PROPRIETARY AND CONFIDENTIAL
 THESE DRAWINGS AND SPECIFICATIONS ARE THE EXCLUSIVE PROPERTIES OF ADVANCED ILLUMINATION INCORPORATED ISSUED IN STRICT CONFIDENCE AND SHALL NOT, WITHOUT THE PRIOR WRITTEN PERMISSION OF ADVANCED ILLUMINATION INC BE REPRODUCED, COPIED OR USED FOR ANY PURPOSE WHATSOEVER EXCEPT THE MANUFACTURE OF ARTICLES FOR ADVANCED ILLUMINATION INC

UNLESS OTHERWISE SPECIFIED:		DATE	NAME
SURFACE SHOULD BE FREE OF SCRATCHES, BURRS, AND DENTS		-	-
DIMENSIONS ARE IN: INCHES		--	--
TOLERANCES		APPROVED	--
FRACTIONAL: 1/16		MATERIAL	-
ANGULAR: MACH ± 1 BEND ± 1		FINISH	-
TWO PLACE DECIMAL ± .010			
THREE PLACE DECIMAL ± .005			
MAKE FROM			
NEXT ASSY	USED ON		
APPLICATION			

UNIT WEIGHT: 0.7 LBS

ADVANCED ILLUMINATION
 440 STATE GARAGE ROAD, ROCHESTER, VERMONT 05767

TITLE:
 DRAWING, INSTALLATION, DL225-050

SIZE	DWG. NO.	REV
A	DL225-050	-

SCALE: NTS/C CODE: SHEET 1 OF 1