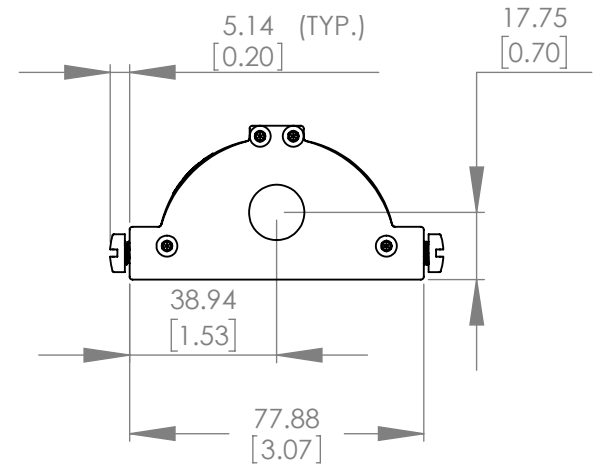
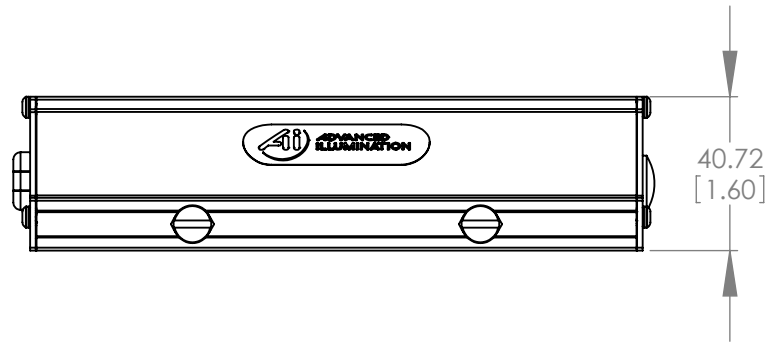
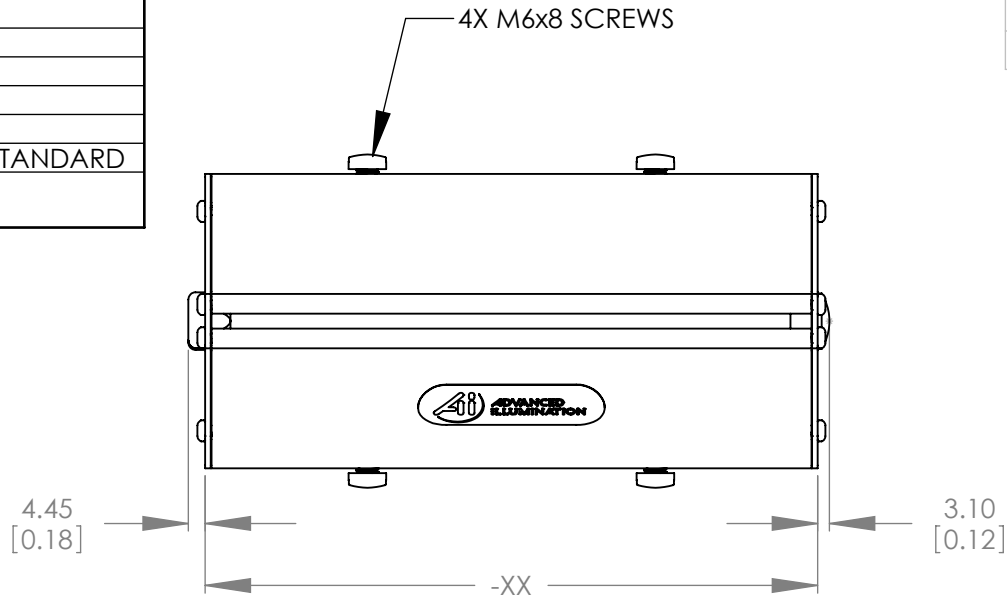


TABULATION TABLE		
NUMBER	LENGTH(XX)	DESCRIPTION
DL15102	2.37" [60.20]	
DL15104	4.37" [111]	
DL15106	6.37" [161.80]	
DL15108	8.37" [212.60]	
DL15110	10.37 [263.40]	
DL15112	12.37 [314.20]	STANDARD
ETC UP TO 70"		

REVISIONS			
REV.	DESCRIPTION	DATE	DCN NO



FOR REFERENCE ONLY

PROPRIETARY AND CONFIDENTIAL
 THESE DRAWINGS AND SPECIFICATIONS ARE THE EXCLUSIVE PROPERTIES OF ADVANCED ILLUMINATION INCORPORATED ISSUED IN STRICT CONFIDENCE AND SHALL NOT, WITHOUT THE PRIOR WRITTEN PERMISSION OF ADVANCED ILLUMINATION INC BE REPRODUCED, COPIED OR USED FOR ANY PURPOSE WHATSOEVER EXCEPT THE MANUFACTURE OF ARTICLES FOR ADVANCED ILLUMINATION INC

UNIT WEIGHT/12" = 0.928 lbs

		UNLESS OTHERWISE SPECIFIED:	DATE	NAME	ADVANCED ILLUMINATION 24 PEAVINE DRIVE, ROCHESTER, VERMONT 05767 TITLE: DRAWING, INSTALLATION, SINGLE CABLE, DL151 REV A
		SURFACE SHOULD BE FREE OF SCRATCHES, BURRS, AND DENTS	-	-	
		DIMENSIONS ARE IN: INCHES	--	--	
		<u>TOLERANCES</u>	--	--	
		FRACTIONAL: 1/16			SIZE DWG. NO.
		ANGULAR: MACH ± 1 BEND ± 1			REV
		TWO PLACE DECIMAL ± .010			A -
		THREE PLACE DECIMAL ± .005			-
NEXT ASSY	USED ON	MAKE FROM			SCALE: NTS/C CODE: -
					SHEET 1 OF 1